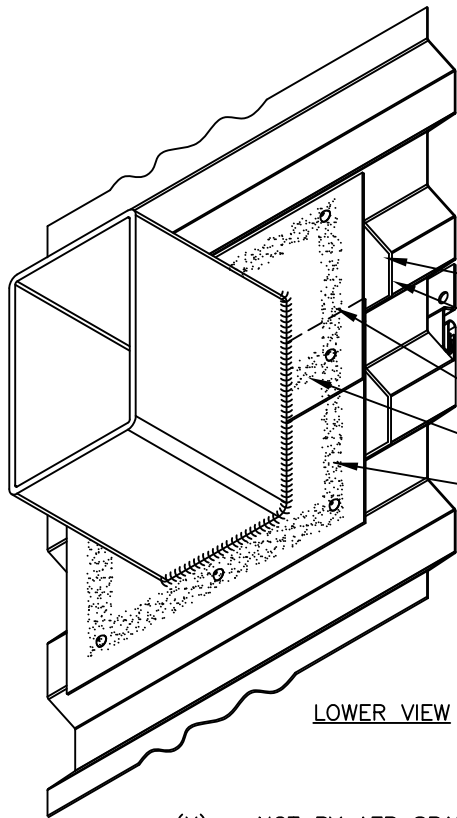
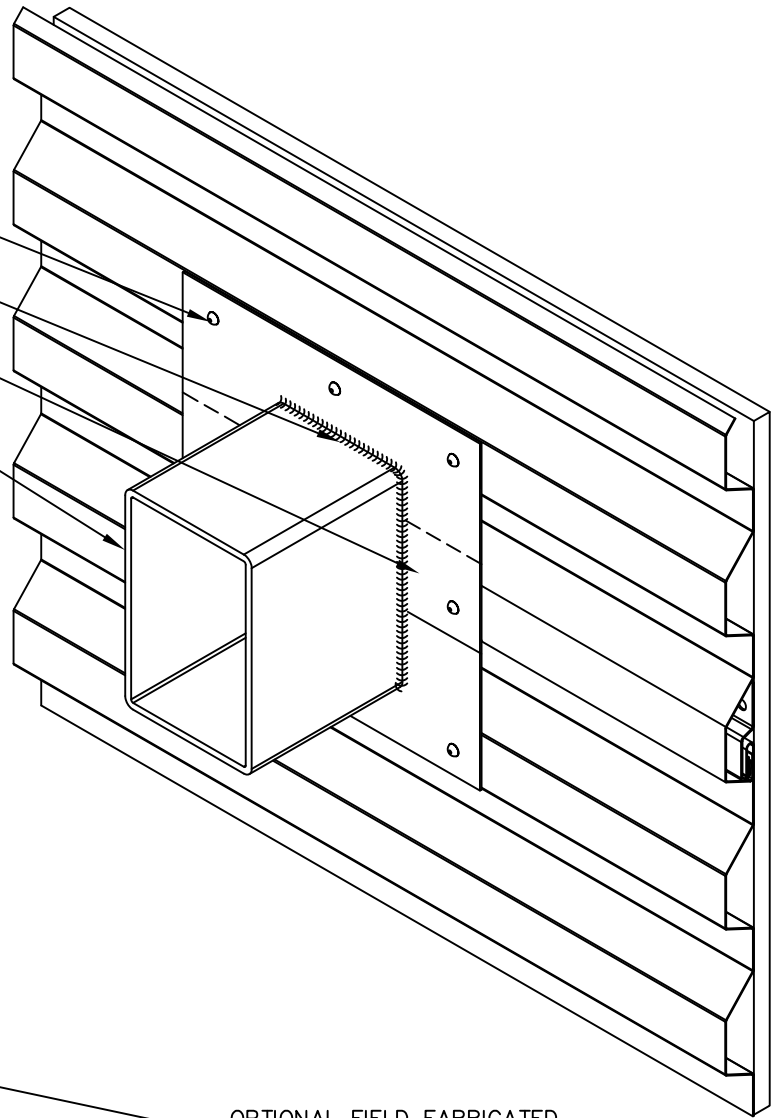


TRIM FASTENER W/SEALING
WASHER, OR RIVET

SEALANT

OVERLAP UPPER/LOWER
FLASHINGS

WALL PENETRATION



OPTIONAL FIELD FABRICATED
CLOSURE COVER TRIM (X)

OUTSIDE CLOSURE (SEALED &
SECURED WITH SEALANT)

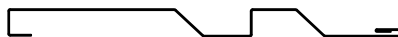
SEAL PERIMETER OF FLASHINGS AND
ALL TRIM OVERLAPS WITH A
CONTINUOUS BEAD OF NON-
SKINNING BUTYL TAPE OR SEALANT

LOWER VIEW

(X) - NOT BY AEP SPAN



PERCEPTION
COLLECTION
HORIZONTAL INSTALL.



WALL PENETRATION (3D)

PCH-17